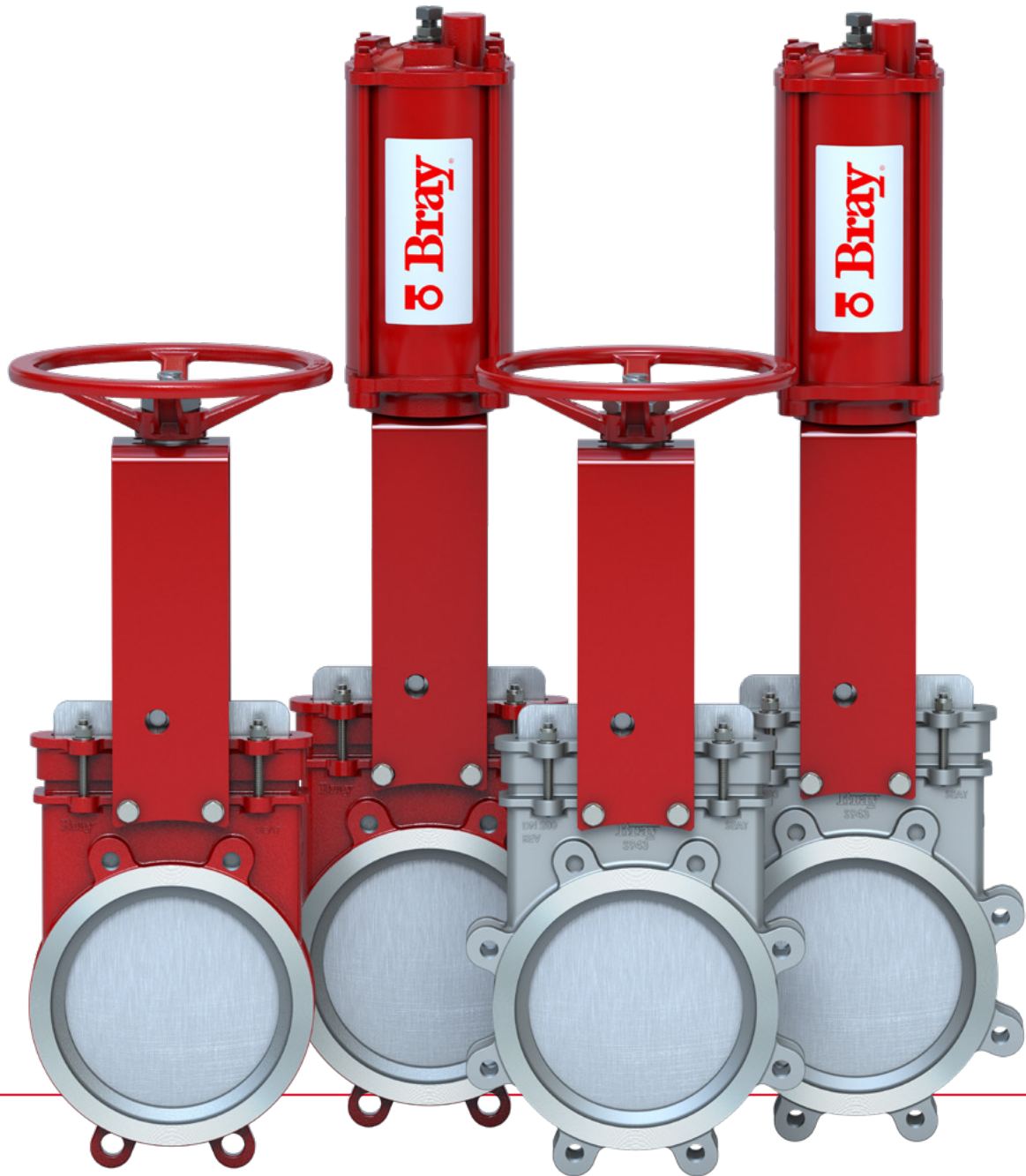

SERIES 943/953

UNIDIRECTIONAL KNIFE GATE VALVES

TECHNICAL SALES MANUAL



Bray[®]

BRAY.COM

THE HIGH PERFORMANCE COMPANY

CONTENTS 2

TECHNICAL DATA 3

FEATURES & BENEFITS 4

FEATURES 5

OPTIONS 6

OPTIONS & ACCESSORIES 7

OPTIONS & ACCESSORIES 8

VALVE SELECTION. 9

MATERIALS OF CONSTRUCTION – SERIES 943 PARTS CALLOUT 10

MATERIALS OF CONSTRUCTION | SERIES 943 PARTS LIST 11

MATERIALS OF CONSTRUCTION – SERIES 953 PARTS CALLOUT 12

MATERIALS OF CONSTRUCTION | SERIES 953 PARTS LIST 13

DIMENSIONS & WEIGHTS | SERIES 943 ASME (in & lb) 14

DIMENSIONS & WEIGHTS | SERIES 943 ASME (mm & kg) 15

DIMENSIONS & WEIGHTS | SERIES 953 ASME (in & lb) 16

DIMENSIONS & WEIGHTS | SERIES 953 ASME (mm & kg) 17

TECHNICAL DATA

OVERVIEW

The Series 943 features a full lug and the Series 953 features a semi-lug, single piece cast body for demanding applications. The standard metal-to-metal seating is engineered for general purpose on/off service and isolation of clean, dirty, corrosive, abrasive, viscous, and high temperature media. Optional zero leakage resilient seats are available.

SPECIFICATIONS

Size Range	NPS 2 to 24 DN 50 to 600	
	943	953
Pressure Rating	2-24 150psi 50-600mm 10 bar	2-10 150psi 50-250mm 10bar
		12-16 90psi 300-400mm 6bar
		18 75psi 450mm 5bar
		20-24 60psi 500-600mm 4bar
Body Style	Single Piece Lug	Single Piece Semi Lug

DESIGN STANDARDS

Face-to-Face	MSS SP-81	
Flange Drilling	ASME B16.5 CL150	
Design Standard	943 MSS SP-81	953 Manufacturer Standard
Testing Standard	MSS SP-151	

STANDARD CONSTRUCTION

	943	953
Body	CF8M (316)	Cast Iron
Gate	316	304
Seat	Integral Metal	Integral Metal
Stem	304	304
Gland	CF8	Ductile Iron
Packing	PTFE Impregnated Synthetic Fiber + Quad Seal	PTFE Impregnated Synthetic Fiber + Quad Seal
Topworks	Carbon Steel	Carbon Steel

MATERIAL OPTIONS

Body	943 - Carbon Steel (WCB) CF8 Stainless Steel CF3 Stainless Steel CF3M Stainless Steel CE3MN Duplex Steel (SS 2507) CD3MN Duplex
	953 - Ductile Iron
Gate	304, 317 Stainless Steel Hastelloy® C
	SAF 2507 Duplex Monel®
	17-4PH Stainless Steel Titanium
Stem	316
Packing	Pure PTFE PTFE w/Nitrile Quad Seal
	PTFE w/EPDM Quad Seal PTFE w/Copper Wiper
	Graphite
Seat	Nitrile EPDM Viton® RPTFE Aflas



Series 943
Lugged

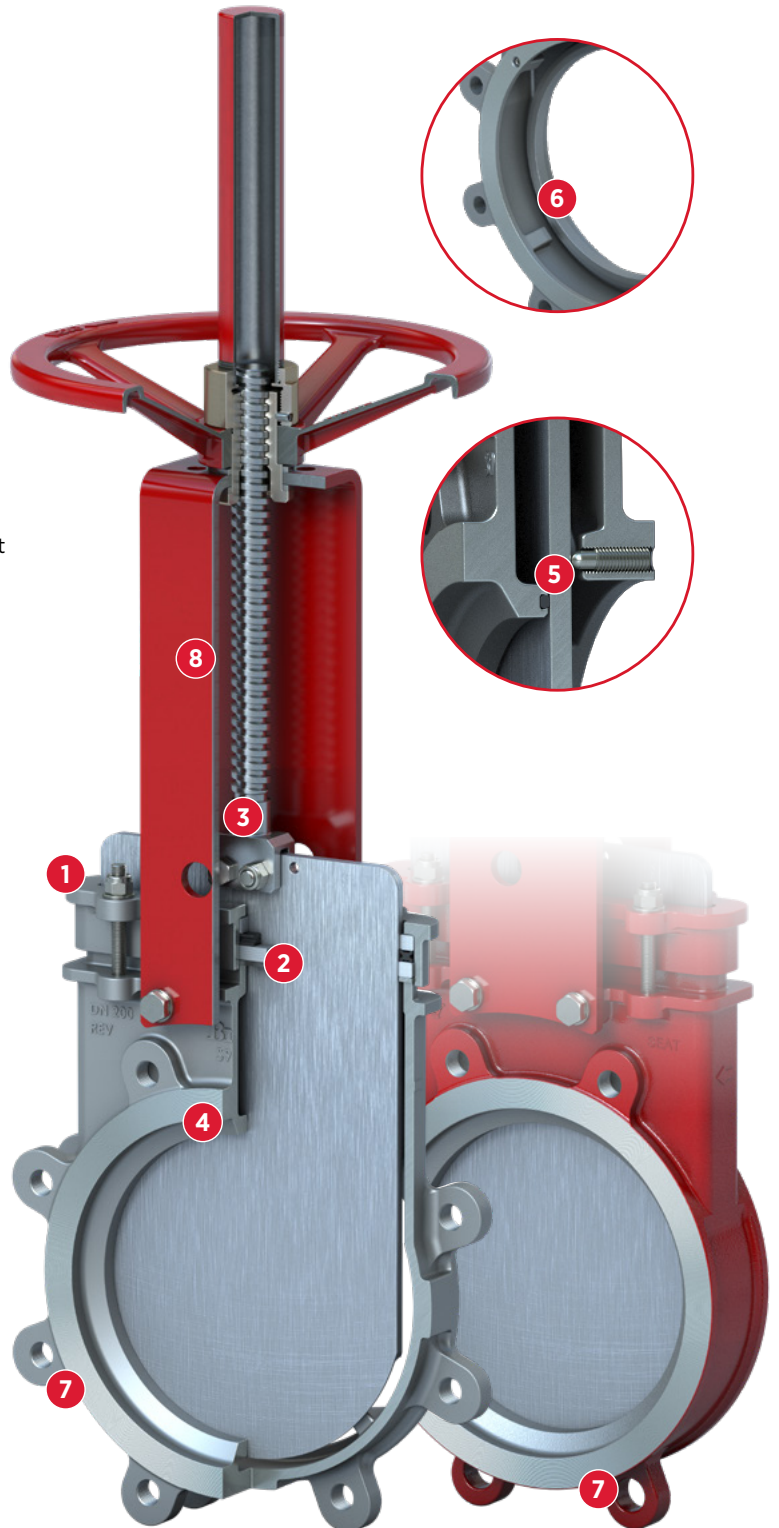


Series 953
Semi Lug

FEATURES & BENEFITS

FEATURES

- 1 Inverted packing gland extends packing life and simplifies replacement.
- 2 Standard energized quad seal packing provides exceptional gland sealing.
- 3 Clevis design and horizontal bolting stabilizes gate ensuring proper alignment.
- 4 Standard metal seated, also available with optional unique self-locking RPTFE seat or replaceable O-Ring soft seat for high performance unidirectional sealing.
- 5 Adjustable gate guides provided to fine tune the gate-to-seat contact and assist with back pressure.
- 6 Cast in gate guides eliminating welding in the body and precision machined wedging for ultimate sealing.
- 7 Optimized body design is offered in both lugged and semi lugged design to maximize performance without unnecessary weight. Lugged body suitable for all mounting orientations including dead-end service.
- 8 Carbon steel, stainless steel, or alloy superstructure ensures robustness in valve design for different operators/orientation.
- 9 Optional replaceable deflection cone, available in Chrome Iron and Polyurethane, can be provided to protect the seat from abrasive media.



Series 953
Semi Lug

APPLICATIONS

Water/Wastewater

- > Slurry/Sludge Lines

General Industrial

- > Pneumatic Conveyance
- > Raw & Treated Water
- > Water Conveyed Solids
- > Dry Media | Cement
- > Hot Gases
- > Carbon Black and

Coking

Mining

- > Mineral Mining
- > Coal Washeries
- > Coal Preparation

Pulp & Paper

- > Paper Stock
- > Liquor Services
- > Recycle Paper

Power

- > Fly Ash | Bottom Ash
- > Branch Lines

Chemical

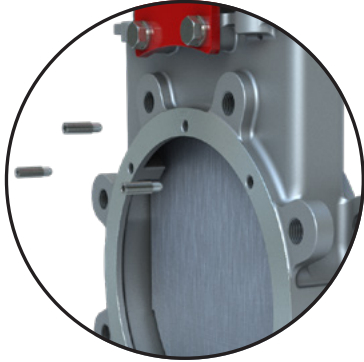
- > Pellets
- > Process Fluids & Chemicals
- > Petroleum Products

Food & Beverage

- > Winery
- > Dairy Processing
- > Brewery | Grain Storage Silo
- > Spent Grain

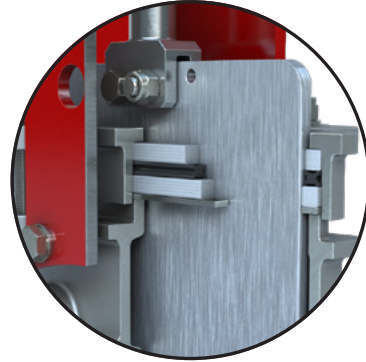
FEATURES

ADJUSTABLE GATE GUIDES



These soft-tipped screws are factory set for standard operation. Field adjustment can be made to fine tune the gate-to-seat dimension when low pressure applications require a better seal.

INVERTED PACKING GLAND



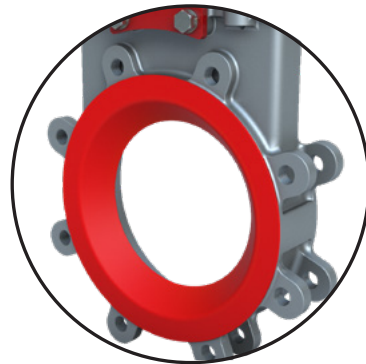
This feature allows for easier packing installation. Because the packing and gland are external to the valve body, they adjust with the gate, providing an improved, longer lasting seal.

RIGID U-SHAPED FRAME



Available in a variety of materials, this heavy duty single-piece frame is designed to provide full-force lockout capability and is easily adaptable for any type of actuation.

DEFLECTION CONE



Recommended for abrasive flow applications to direct the flow away from the seat.

OPTIONS

SEAT DESIGN OPTIONS



METAL SEAT

For applications with:

- High temperature
- High density media



SOFT SEAT

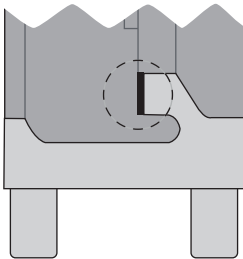
For applications with:
Zero Leakage

Nitrile	-34 to 194°F
	-36 to 90°C
EPDM	-65 to 248°F
	-54 to 120°C
Viton[®]	-15 to 392°F
	-26 to 200°C
Aflas[®]	-15 to 392°F
	-26 to 200°C



RPTFE	-235 to 500°F
	-148 to 260°C

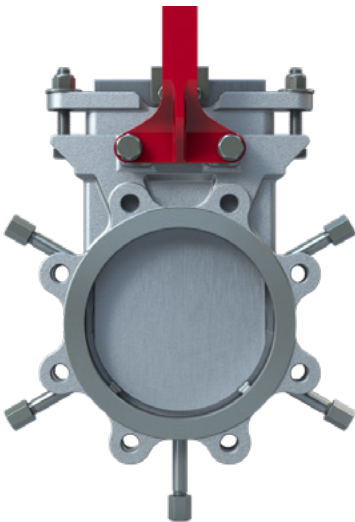
** Allowable seat leakage for RPTFE seat is 5 cc/min/inch



STELLITED SEAT

For applications with:
Abrasive media

SPECIAL OPTIONS



PURGE CONNECTIONS

Purge ports are recommended when valves are installed in applications where product tends to dehydrate, solidify, or build up in the seat area. It is recommended that purging media be air or fluid be one barg pressure greater than operating pressure.

BODY PURGES

Standard purge positions at 2, 4, 8 and 10 o'clock on the perimeter of the valve body.

CHEST PURGE

Standard purge positions located on both front and back side of the chest area.

Flush ports are also available fully piped for ease of operation minimizing the need for multiple piping connections. They can be supplied in either stainless or carbon steel piping depending on material construction of the body.



V PORT

A V Port is used to control flow in clean media applications

OPTIONS & ACCESSORIES

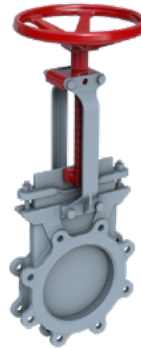
AVAILABLE ACCESSORIES | SHOWN IN RED



DEFLECTION CONE



HANDWHEEL
LOCK OUT



NON-RISING STEM



PNEUMATIC FAILSAFE



GATE GUARD



CHAIN WHEEL



PROXIMITY SENSOR



MANUAL OVERRIDE



MECHANICAL LIMIT
SWITCH



ELECTRO PNEUMATIC
POSITIONER

ACTUATOR OPTIONS | SHOWN IN RED



DIRECT MOUNTED HANDWHEEL



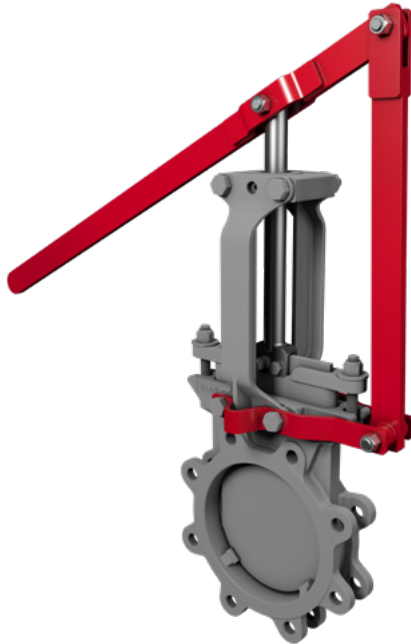
BEVEL GEAR OPERATOR



DOUBLE ACTING PNEUMATIC ACTUATOR



HYDRAULIC ACTUATOR



LEVER

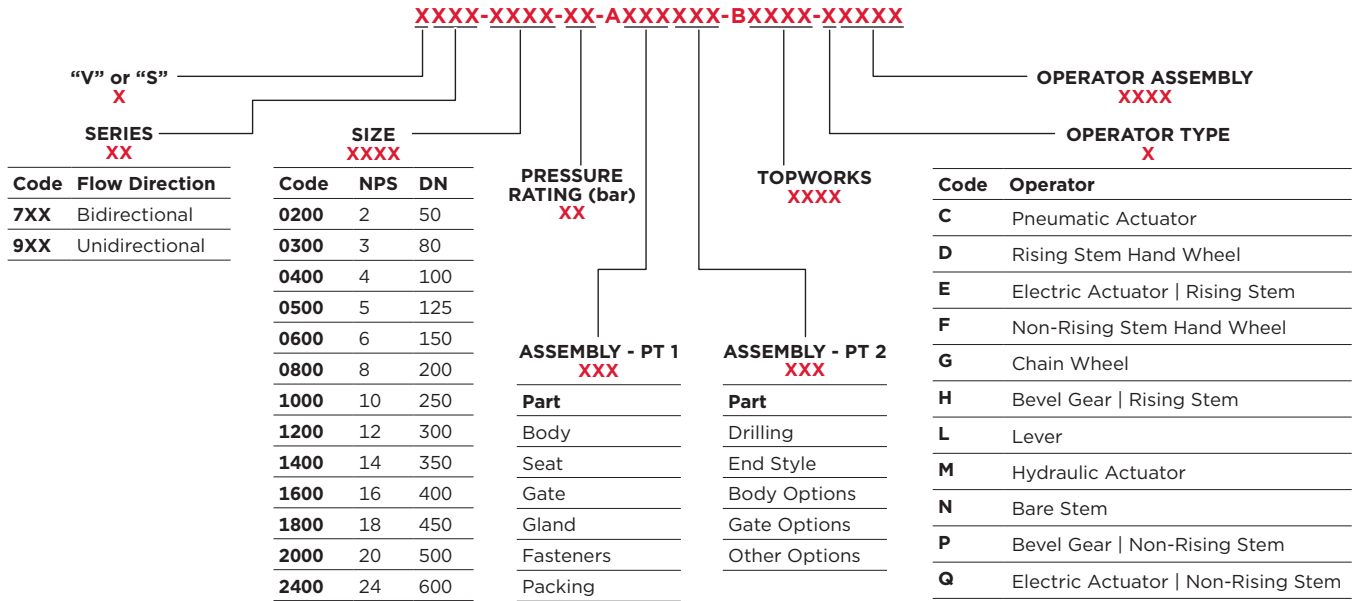


ELECTRIC ACTUATOR

VALVE SELECTION

VALVE PART NUMBERING SYSTEM

Select one code from each category to build a complete valve order number.



NOTES:

1 For a complete list of standard materials and descriptions, refer to MATERIALS OF CONSTRUCTION. Other materials are available, please contact Bray for additional information.

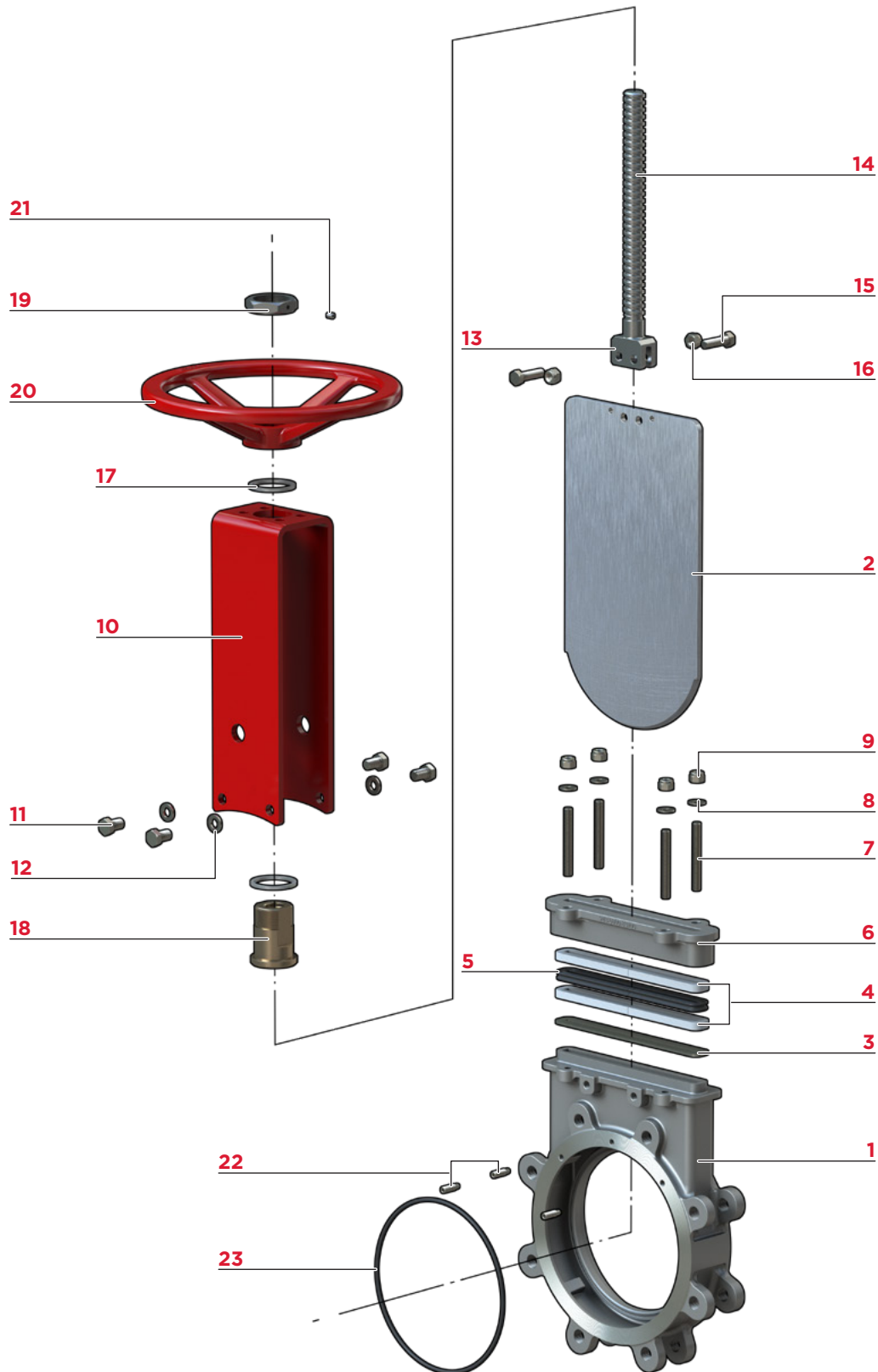
2 No assigned code, ASSEMBLY NUMBER is generated by Engineering configurator.

EXAMPLE

S-943-0800-10-A610610-B0610-D6110

- > Unidirectional, Lugged
- > 8 inch (200 mm)
- > 150 psi (10 bar) rated valve
- > Standard build assembly
- > Rising Stem Hand Wheel

PARTS CALLOUT SERIES 943
NPS 2 to 24 | DN50 to DN600



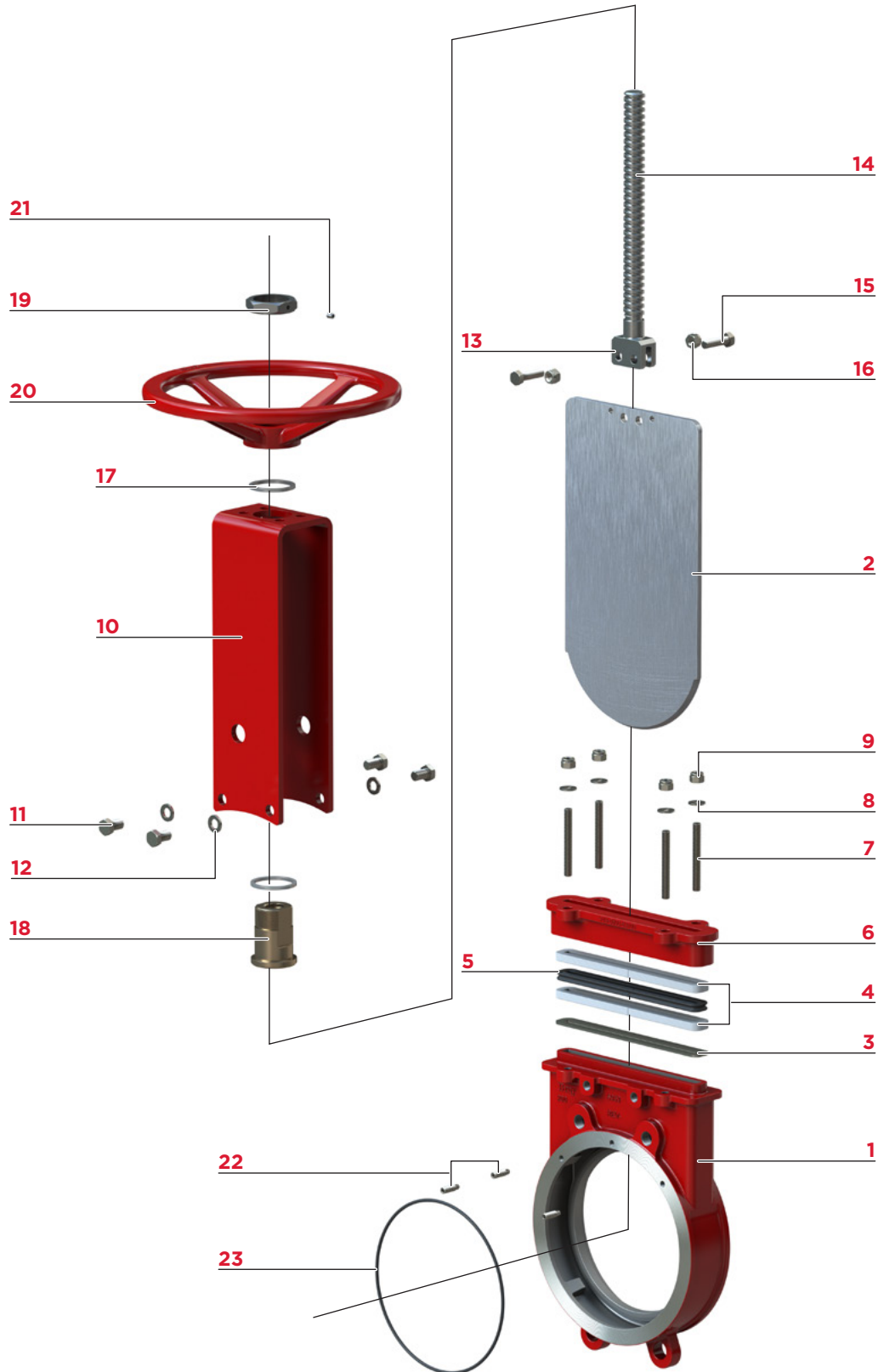
PARTS LIST AND MATERIAL SPECIFICATIONS

ITEM	DESCRIPTION	MATERIAL
1	Body	CF8M
2	Gate	316SS
3	Anti-Extrusion Ring	RPTFE
4	Packing Set	PTFE Impregnated Synthetic Fiber
5	Quad Seal	Viton®
6	Gland	CF8
7	Gland Stud	304SS
8	Gland Washer	304SS
9	Gland Nut	304SS
10	Yoke/U-Plate	Carbon Steel Painted
11	Yoke Mounting Bolt	304SS
12	Yoke Spring Washer	304SS
13	Clevis	304SS
14	Stem	304SS
15	Clevis Bolt	304SS
16	Clevis Nut	304SS
17	Thrust Washer	Brass
18	Yoke Sleeve	Brass
19	Lock Nut	Zinc Plated Carbon Steel
20	Hand Wheel	Ductile Iron (Painted)
21	Grub Screw	Zinc Plated Carbon Steel
22	Gate Guides	PTFE Tipped 316SS Screw
23	Seat	Metal/EPDM/Nitrile*/Viton*/PTFE

NOTES

- 1 Material specifications provided for reference only, and are subject to change without notice.
- 2 Additional materials available upon request.

PARTS CALLOUT SERIES 953
NPS 2 to 24 | DN50 to DN600

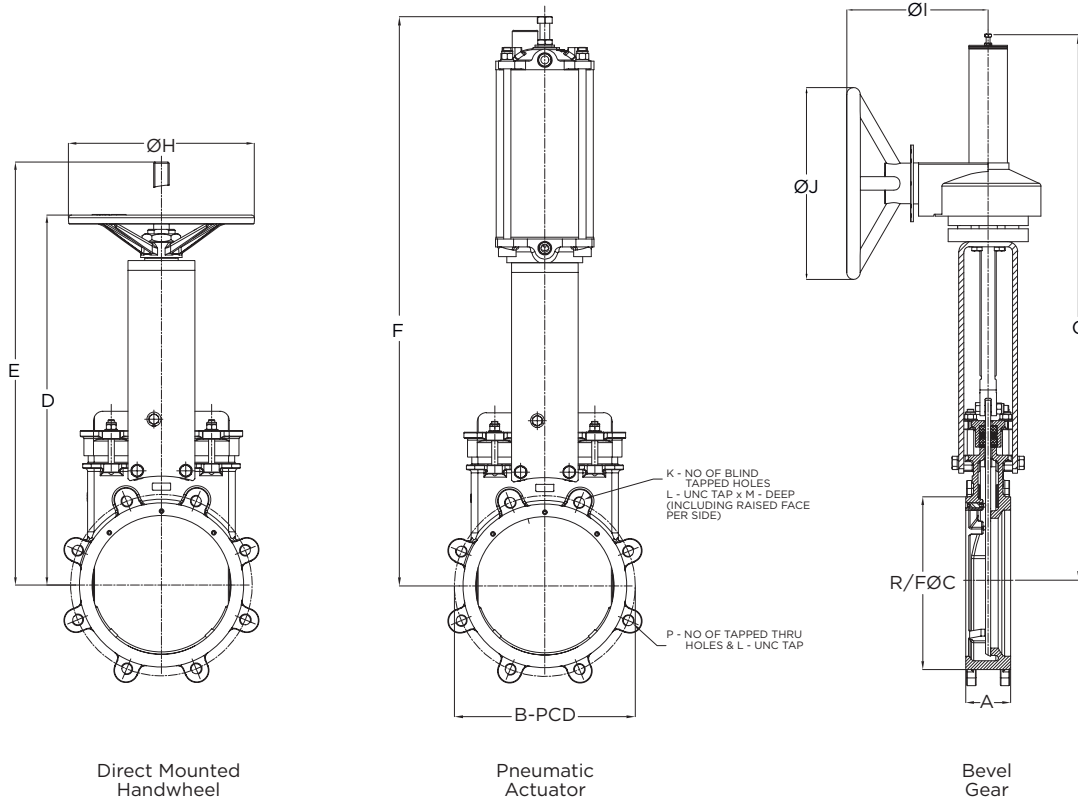


PARTS LIST AND MATERIAL SPECIFICATIONS

ITEM	DESCRIPTION	MATERIAL
1	Body	Cast Iron GG25 (Painted)
2	Gate	304SS
3	Anti-Extrusion Ring	RPTFE
4	Packing Set	PTFE Impregnated Synthetic Fiber
5	Quad Seal	Viton®
6	Gland	Ductile Iron GGG40 (Painted)
7	Gland Stud	Zinc Plated Carbon Steel
8	Gland Washer	Zinc Plated Carbon Steel
9	Gland Nut	Zinc Plated Carbon Steel
10	Yoke/U-Plate	Carbon Steel (Painted)
11	Yoke Mounting Bolt	Zinc Plated Carbon Steel
12	Yoke Spring Washer	Zinc Plated Carbon Steel
13	Clevis	304SS
14	Stem	304SS
15	Clevis Bolt	304SS
16	Clevis Nut	304SS
17	Thrust Washer	Brass
18	Yoke Sleeve	Brass
19	Lock Nut	Zinc Plated Carbon Steel
20	Hand Wheel	Ductile Iron (Painted)
21	Grub Screw	Zinc Plated Carbon Steel
22	Gate Guides	PTFE Tipped 316SS Screw
23	Seat	Metal/EPDM/Nitrile*/Viton*/PTFE

NOTES

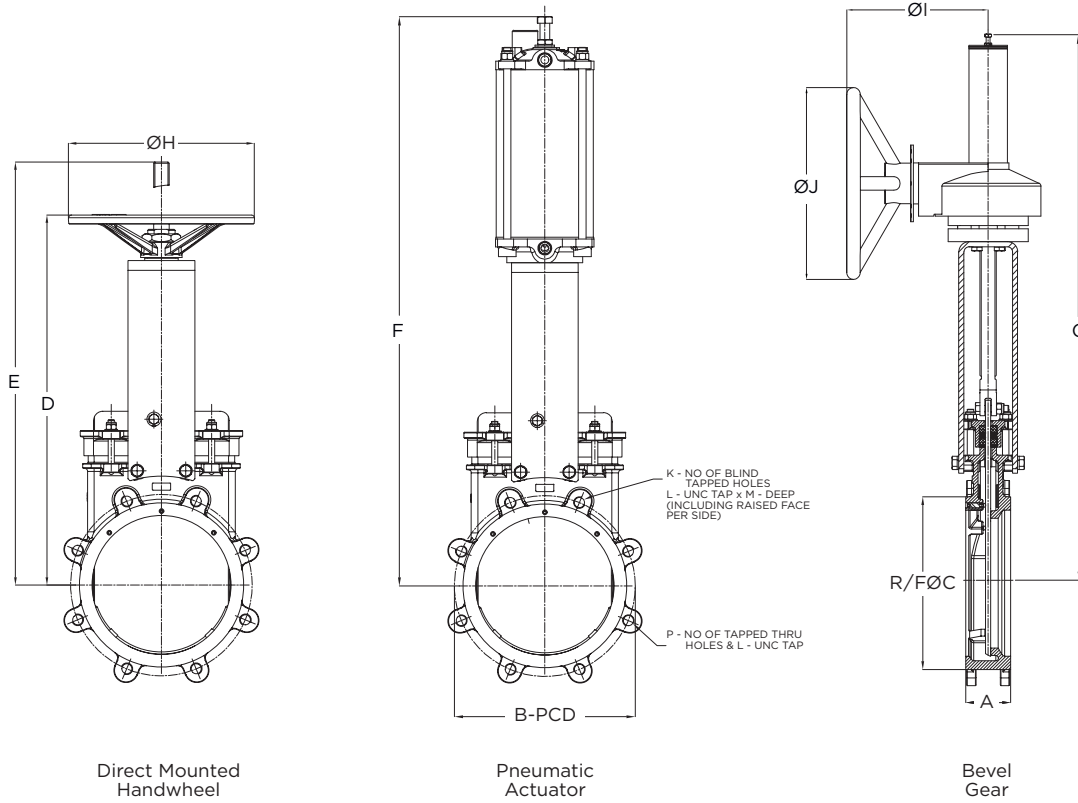
- 1 Material specifications provided for reference only, and are subject to change without notice.
- 2 Additional materials available upon request.
- 3 Stainless Steel/TFE available.



DIMENSIONS (inch)															WEIGHT (lbs)		
NPS	A	B-PCD	R/FØC	D	E	F	G	ØH	ØI	ØJ	K	L	M	P	HAND WHEEL	PNEUMATIC ACTUATOR	GEAR OPERATOR
2	1.88	4.75	3.62	14.37	15.94	20.67	--	8	--	--	2	5/8"-11	.35	2	20	29	--
3	2.00	6.00	5.00	15.94	18.50	23.03	--	8	--	--	2	5/8"-11	.35	2	24	31	--
4	2.00	7.50	6.20	17.91	21.42	25.79	--	8	--	--	2	5/8"-11	.35	6	31	42	--
5	2.25	8.50	7.32	19.88	24.21	29.53	--	10	--	--	2	3/4"-10	.43	6	42	62	--
6	2.25	9.50	8.50	20.87	26.61	31.89	--	10	--	--	2	3/4"-10	.43	6	46	66	--
8	2.75	11.75	10.63	24.02	32.13	37.20	34.06	12	11.81	20	2	3/4"-10	.43	6	68	88	90
10	2.75	14.25	12.76	27.56	37.13	43.11	38.98	16	11.81	20	4	7/8"-9	.43	8	108	152	130
12	3.00	17.00	15.00	31.69	43.39	49.21	45.28	16	11.81	20	4	7/8"-9	.43	8	132	183	161
14	3.00	18.75	16.26	34.84	48.27	54.13	50.00	20	11.81	20	4	1"-8	.55	8	196	260	223
16	3.50	21.25	18.50	38.70	53.94	61.26	55.71	20	11.81	20	6	1"-8	.71	10	282	357	311
18	3.50	22.76	20.98	42.05	59.45	65.47	61.42	20	12.20	20	6	1-1/8"-7	.71	10	357	425	386
20	4.50	25.00	23.03	46.57	65.55	73.86	67.52	20	12.20	20	6	1-1/8"-7	.75	14	474	606	503
24	4.50	29.50	27.24	52.95	75.79	86.42	77.76	20	12.20	20	6	1-1/8"-7	.75	14	633	776	661

NOTES

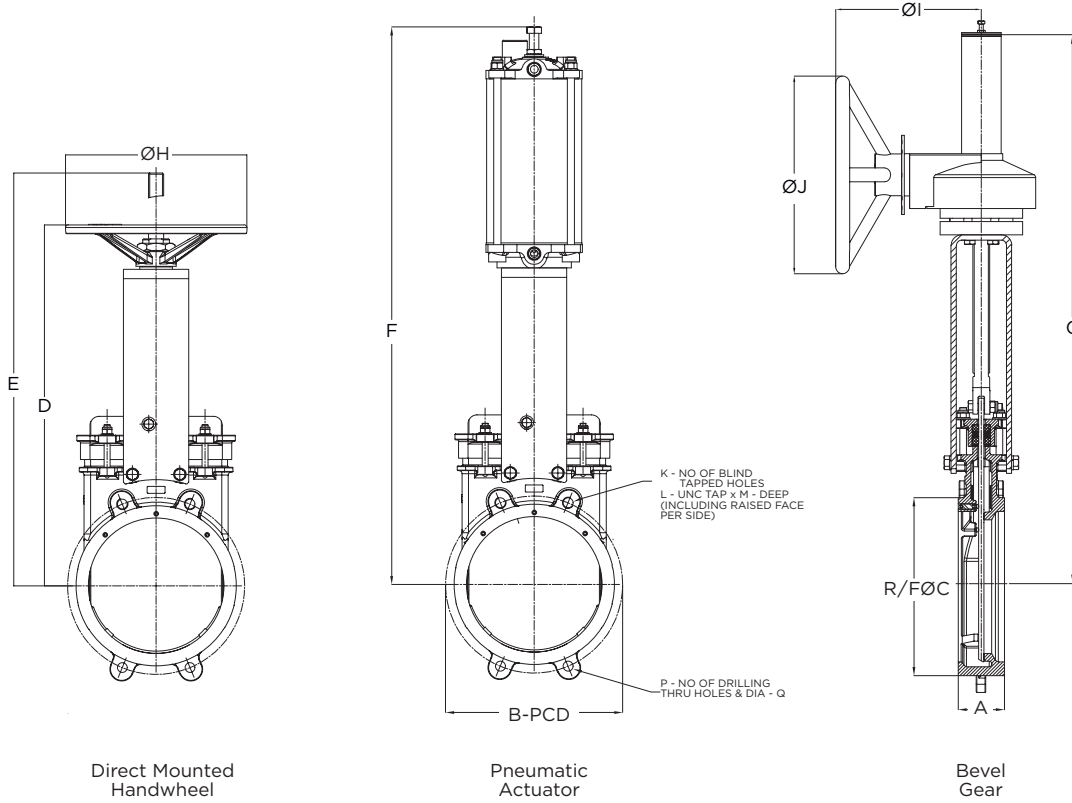
- 1 Consult factory for hydraulic and electric actuator dimensions.
- 2 Dimensions are approximate and subject to change. Consult factory for certified drawings.
- 3 Drilling in conformance with ASME B16.5, Class 150 for sizes NPS 2 (DN50) through NPS 24 (DN600.)
- * in-built with PU gasket and does not required additional flange gasket



DIMENSIONS (mm)															WEIGHT (kg)		
NPS	A	B-PCD	R/FØC	D	E	F	G	ØH	ØI	ØJ	K	L	M	P	HAND WHEEL	PNEUMATIC ACTUATOR	GEAR OPERATOR
2	48	120.7	92	365	405	525	--	203	--	--	2	5/8"-11	9	2	9	9	--
3	51	152.4	127	405	470	585	--	203	--	--	2	5/8"-11	9	2	11	11	--
4	51	190.5	158	455	544	655	--	203	--	--	2	5/8"-11	9	6	14	14	--
5	57	215.9	186	505	615	750	--	254	--	--	2	3/4"-10	11	6	19	19	--
6	57	241.3	216	530	675	810	--	254	--	--	2	3/4"-10	11	6	21	21	--
8	70	298.5	270	610	816	945	865	305	300	500	2	3/4"-10	11	6	31	31	39
10	70	362.0	324	700	943	1095	990	406	300	500	4	7/8"-9	11	8	49	49	54
12	76	431.8	381	805	1102	1250	1150	406	300	500	4	7/8"-9	11	8	60	60	60
14	76	476.3	413	885	1226	1375	1270	508	300	500	4	1"-8	14	8	89	89	91
16	89	539.8	470	983	1370	1556	1415	508	300	500	6	1"-8	18	10	128	162	141
18	89	577.9	533	1068	1510	1663	1560	508	310	500	6	1-1/8"-7	18	10	162	193	175
20	114	635.0	585	1183	1665	1876	1715	508	310	500	6	1-1/8"-7	19	14	215	275	228
24	114	749.3	692	1345	1925	2195	1975	508	310	500	6	1-1/8"-7	19	14	287	352	300

NOTES

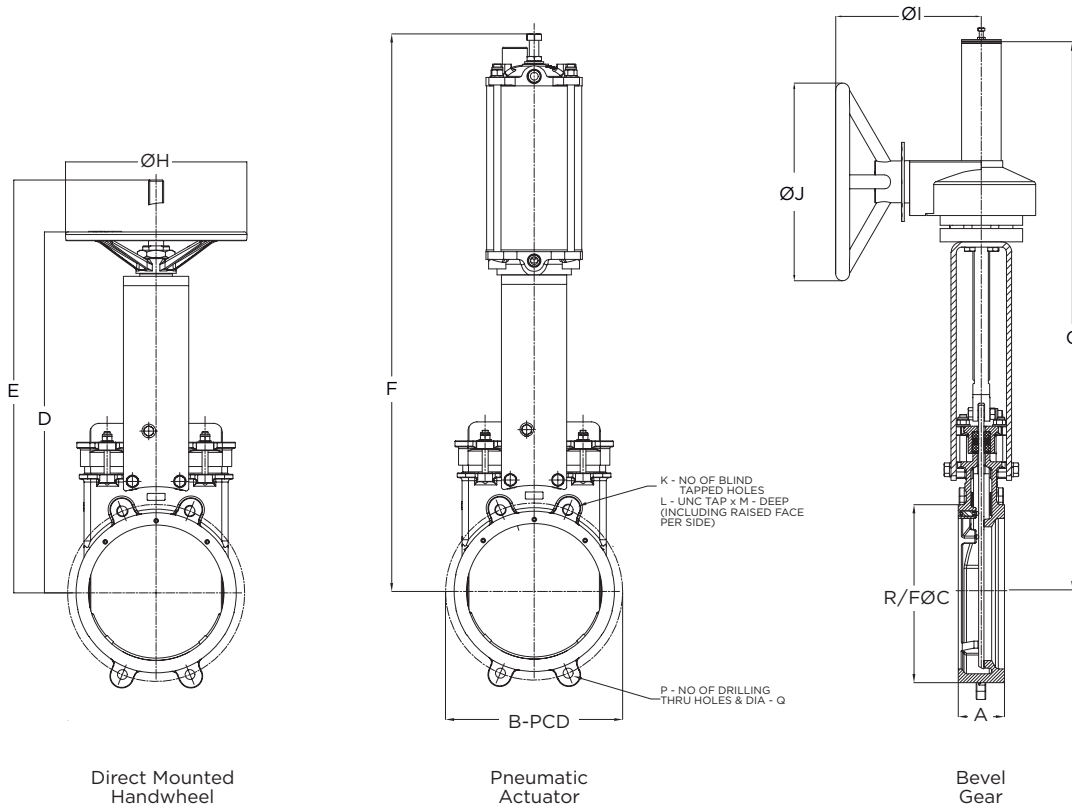
- 1 Consult factory for hydraulic and electric actuator dimensions.
- 2 Dimensions are approximate and subject to change. Consult factory for certified drawings.
- 3 Drilling in conformance with ASME B16.5, Class 150 for sizes NPS 2 (DN50) through NPS 24 (DN600.)
- * in-built with PU gasket and does not required additional flange gasket



DIMENSIONS (inch)																WEIGHT (lbs)		
NPS	A	B-PCD	R/FØC	D	E	F	G	ØH	ØI	ØJ	K	L	M	P	Q	HAND WHEEL	PNEUMATIC ACTUATOR	GEAR OPERATOR
2	1.88	4.75	3.62	14.37	15.94	20.67	--	8	--	--	2	5/8"-11	.35	2	18	20	27	--
3	2.00	6.00	5.00	15.94	18.50	23.03	--	8	--	--	2	5/8"-11	.35	2	18	24	31	--
4	2.00	7.50	6.19	17.91	21.42	25.79	--	8	--	--	2	5/8"-11	.35	2	18	28	38	--
5	2.25	8.50	7.31	19.88	24.21	29.53	--	10	--	--	2	3/4"-10	.43	2	22	36	56	--
6	2.25	9.50	8.50	20.87	26.61	31.89	--	10	--	--	2	3/4"-10	.43	2	22	41	62	--
8	2.75	11.75	10.62	24.02	32.13	37.20	34.06	12	11.81	20	2	3/4"-10	.43	2	22	65	84	87
10	2.75	14.25	12.75	27.56	37.13	43.11	38.98	16	11.81	20	4	7/8"-9	.43	2	25	98	140	119
12	3.00	17.00	15.00	31.69	43.39	49.21	45.28	16	11.81	20	4	7/8"-9	.43	2	25	118	161	138
14	3.00	18.75	16.25	34.84	48.27	54.13	50.00	20	11.81	20	4	1"-8	.55	4	28	181	246	207
16	3.50	21.25	18.50	38.70	53.94	61.26	55.71	20	11.81	20	6	1"-8	.83	4	28.4	244	311	270
18	3.50	22.75	21.00	42.05	59.45	65.47	61.42	20	12.20	20	6	1-1/8"-7	.83	4	32.5	312	381	332
20	4.50	25.00	23.00	46.57	65.55	73.86	67.52	20	12.20	20	8	1-1/8"-7	.86	6	32.5	474	550	439
24	4.50	29.50	27.25	52.95	75.79	86.42	77.76	20	12.20	20	8	1-1/4"-7	.86	6	32.5	545	683	565

NOTES

- 1 Consult factory for hydraulic and electric actuator dimensions.
- 2 Dimensions are approximate and subject to change. Consult factory for certified drawings.
- 3 Drilling in conformance with ASME B16.5, Class 150 for sizes NPS 2 (DN50) through NPS 24 (DN600.)
- * in-built with PU gasket and does not required additional flange gasket



DIMENSIONS (mm)																WEIGHT (kg)		
NPS	A	B-PCD	R/FØC	D	E	F	G	ØH	ØI	ØJ	K	L	M	P	Q	HAND WHEEL	PNEUMATIC ACTUATOR	GEAR OPERATOR
2	48	120.7	92	365	405	525	--	203	--	--	2	5/8"-11	9	2	18	9	12	--
3	51	152.4	127	405	470	585	--	203	--	--	2	5/8"-11	9	2	18	11	14	--
4	51	190.5	158	455	544	655	--	203	--	--	2	5/8"-11	9	2	18	13	17	--
5	57	215.9	186	505	615	750	--	254	--	--	2	3/4"-10	11	2	22	16	26	--
6	57	241.3	216	530	675	810	--	254	--	--	2	3/4"-10	11	2	22	19	28	--
8	70	298.5	270	610	816	945	865	305	300	500	2	3/4"-10	11	2	22	29	28	39
10	70	362.0	324	700	943	1095	990	406	300	500	4	7/8"-9	11	2	25	45	63	54
12	76	431.8	381	805	1102	1250	1150	406	300	500	4	7/8"-9	11	2	25	53	73	60
14	76	476.3	413	885	1226	1375	1270	508	300	500	4	1"-8	14	4	28	82	111	94
16	89	539.8	470	983	1370	1556	1415	508	300	500	6	1"-8	21	4	28.4	110	141	122
18	89	577.9	533	1068	1510	1663	1560	508	310	500	6	1-1/8"-7	21	4	32.5	162	173	150
20	114	635.0	585	1183	1665	1876	1715	508	310	500	8	1-1/8"-7	22	6	32.5	215	249	199
24	114	749.3	692	1345	1925	2195	1975	508	310	500	8	1-1/4"-7	22	6	32.5	247	310	256

NOTES

- 1 Consult factory for hydraulic and electric actuator dimensions.
- 2 Dimensions are approximate and subject to change. Consult factory for certified drawings.
- 3 Drilling in conformance with ASME B16.5, Class 150 for sizes NPS 2 (DN50) through NPS 24 (DN600.)
- * in-built with PU gasket and does not required additional flange gasket

STEM DATA

STEM DATA					
SIZE		STROKE	STEM DIA	THRUST	TPI
inch	mm	mm	inch	lbf	
02	50	63	0.75	141	6
03	80	88	0.75	335	6
04	100	114	0.75	698	6
05	125	140	0.75	680	6
06	150	166	0.75	1469	6
08	200	216	1.00	2096	5
10	250	255	1.00	2938	5
12	300	307	1.00	3765	5
14	350	345	1.50	5027	4
16	400	387	1.50	5858	4
18	450	440	1.50	6845	4
20	500	489	1.50	7759	4
24	600	589	1.50	9184	4

SINCE 1986, BRAY HAS PROVIDED FLOW CONTROL SOLUTIONS FOR A VARIETY OF INDUSTRIES AROUND THE WORLD.

VISIT **BRAY.COM** TO LEARN MORE ABOUT BRAY PRODUCTS AND LOCATIONS NEAR YOU.

HEADQUARTERS

Bray International, Inc.

13333 Westland East Blvd.

Houston, Texas 77041

Tel: +1.281.894.5454

All statements, technical information, and recommendations in this bulletin are for general use only. Consult Bray representatives or factory for the specific requirements and material selection for your intended application. The right to change or modify product design or product without prior notice is reserved. Patents issued and applied for worldwide. Bray® is a registered trademark of Bray International, Inc.

© 2025 BRAY INTERNATIONAL. ALL RIGHTS RESERVED. BRAY.COM

EN_TSM_KGV943_953_20250103



THE HIGH PERFORMANCE COMPANY

BRAY.COM