

AS-i



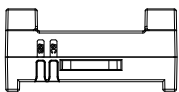
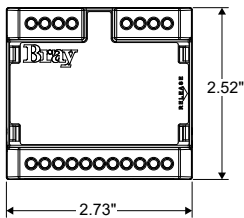
DeviceNet™



Profibus DP



DIMENSIONS



FEATURES

- 3 Industrial Communication Protocols available
- Dual solenoid capable
- Circuit board and terminals protected by plastic enclosure
- Easy configuration

TECHNICAL DATA

General Specifications

Electronics Enclosure Material	PC/ABS Blend
Mounting Bracket Material	Glass-filled Nylon
Wire Gauge	26-16 AWG [0.13-1.31 mm ²]
Torque Limit	3.5 in-lbs [15.6 N]
Temperature Rating	-13 to 149°F [-25 to 65°C]
Installation	Designed for use within Bray VSMs
Switch connections	Only switches approved for use within Bray VSMs should be used with the product.

Electrical Specifications

Input Voltage	24 VDC ± 10%
Power Consumption	16 W Max
Load(s)	24 VDC Solenoids
# of Load Connections	2 Max
Load Switch	Solid-State (NMOS Open-Drain)
Load Limit	6.9 W per load 13.8 W max

Protocol Features	AS-i	DeviceNet	Profibus DP
Communication status LED	✓	✓	✓
Product status LED	✓	✓	✓
VSM Open/Close LED	✓	✓	✓
Baud Rate LED	–	✓	–
Node Address Display	–	✓	✓
Address Range [‡]	1A-31A 1B-31B	0-63	0-126
Protocol Version	V3.0	Ed. 1.14	DP-V0
Power via BUS connection	✓	✓	–
External Power Supply*	24VDC ± 10% At least 750 mA, if maximum output load (13.8W) is needed		

[‡]Default address for the Protocol Module is bolded. AS-i does not have a default address.

*External power is optional for AS-I and DeviceNet; however, it is recommended if more than 300mA will be drawn from the bus connection.

INTERCONNECT KITS

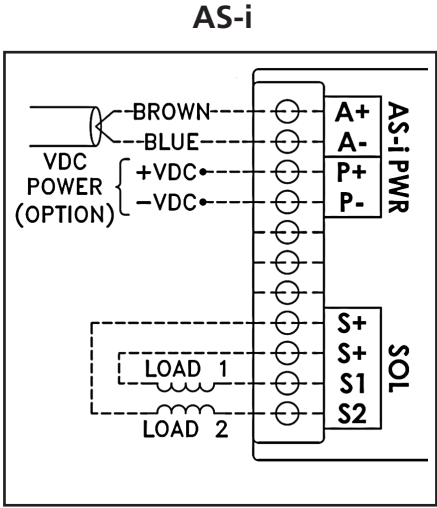
Protocol	Imperial	Metric
DeviceNet	5B0000-23600536	5B0000-23650536
AS-i	5B0000-23601536	5B0000-23651536
Profibus DP*	5B0000-23602536	5B0000-23652536
	5B0000-23603536	5B0000-23653536

NOTE: 536 at the end of part number represents standard material (Nickel-Plated Brass). For Stainless Steel, use code 534 instead.

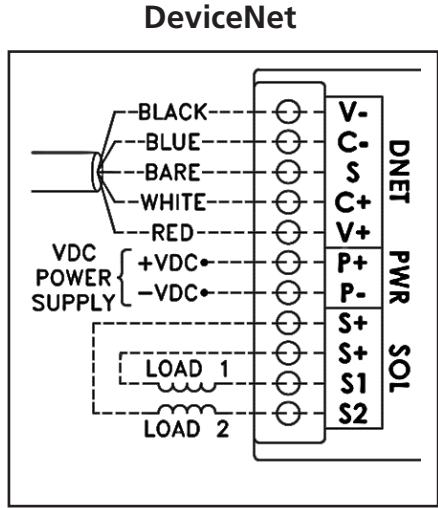
All protocol kits have a male receptacle for bus connection.

*Optional kit for Profibus DP contains both a male and a female receptacle.

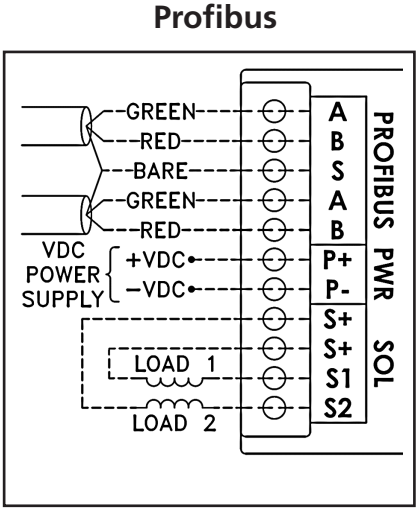
FIELD CONNECTIONS



- 1 = BROWN (+ VOLTAGE)
 2 = N/C
 3 = BLUE (- VOLTAGE)
 4 = N/C



- 1 = GRAY (SHIELD)
 2 = RED (+VOLTAGE)
 3 = BLACK (-VOLTAGE)
 4 = WHITE (CAN_H)
 5 = BLUE (CAN_L)

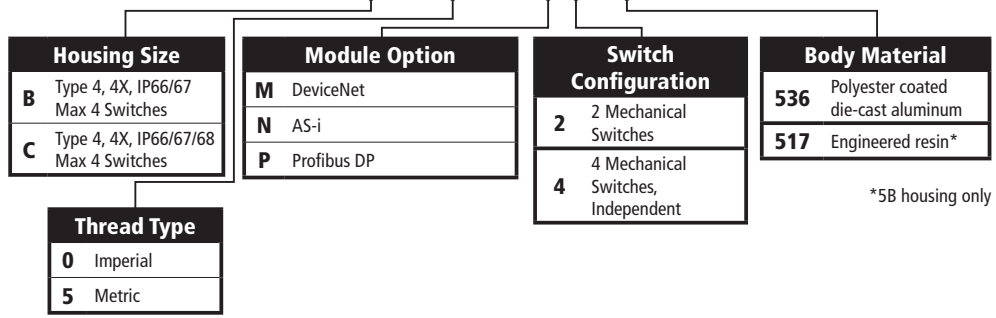


- 1 = N/C
 2 = GREEN (BUS_A)
 3 = N/C
 4 = RED (BUS_B)
 5 = BARE (SHIELD)

Note: 2 pair cable recommended
 (1 pair for signal and 1 pair for power)

PART NUMBERING SYSTEM

5X000X-126X XXX



HEADQUARTERS
Bray International, Inc.
 13333 Westland East Blvd.
 Houston, Texas 77041
 Tel: 281.894.5454
 bray.com

All statements, technical information, and recommendations in this bulletin are for general use only. Consult Bray representatives or factory for the specific requirements and material selection for your intended application. The right to change or modify product design or product without prior notice is reserved. Patents issued and applied for worldwide.