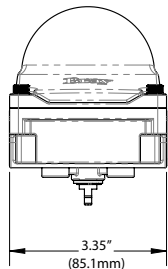
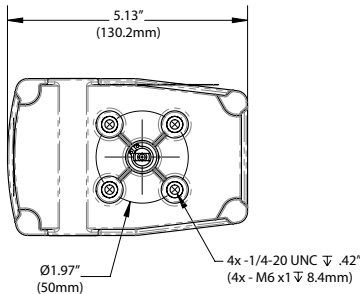
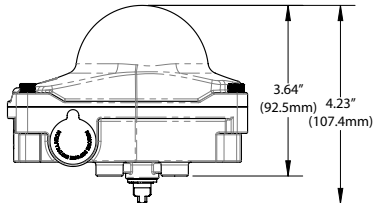




DIMENSIONS



FEATURES

- IP66 / 67 / 68
- NEMA 4, 4x
- High Visibility Indicator
- Compact Design
- SIL 3 Capable Option

TECHNICAL DATA

General Specifications

Base Material	Fiberglass reinforced PBT
Cover and Indicator Dome	Polycarbonate
Conduit Thread	1/2" NPT or M20
Conduit Quantity	2
Temperature Range	-13°F to 149°F (-25°C to 65°C)
Approx. Weight with 2 x SPDT	0.8 lbs / 0.4 kg
Mounting Pattern	VDI/VDE 3845
Terminal	4 or 8 Pole configurations
O-Rings	EPDM
Indicator Options	Open (yellow) Closed (red) Open (black) Closed (yellow) Open (green) Closed (red) Open (red) Closed (green)
Ratings	IP66 / 67 / 68 & NEMA 4, 4x
Certification	CE Declaration
Hazardous Locations (Optional)	ATEX, IECEx for intrinsic safety

Mechanical Switches

Switch Type	SPDT		Reed Switches
	SPDT	SPDT Low Power	SPDT
Switch Ratings	10A, 250V AC 1/2 HP, 250V AC 0.25A, 250V DC 0.5A, 125V DC	0.1A, 125V AC 0.1A, 30V DC 1mA, 4V AC/DC min	180 mA, 110V AC 830 mA, 24V DC 20W max.
Max Number of Switches	2	2	2
Approvals	SIL 3 Capable	SIL 3 Capable	SIL 3 Capable

3-Wire DC Proximity Switches	PNP N.O.	PNP N.C.	NPN N.O.	NPN N.C.
Power Supply	Class 2	Class 2	Class 2	Class 2
Operating Voltage	10-30V DC	10-30V DC	10-30V DC	10-30V DC
Load Current	≤ 100 mA	≤ 100 mA	≤ 100 mA	≤ 100 mA
Current Consumption	≤ 15 mA	≤ 15 mA	≤ 15 mA	≤ 15 mA
Leakage Current	≤ 0.5 mA	≤ 0.5 mA	≤ 0.5 mA	≤ 0.5 mA
Voltage Drop	≤ 3V	≤ 3V	≤ 3V	≤ 3V
Max Number of Switches	2	2	2	2
Approvals	N/A	N/A	N/A	N/A

2-Wire Proximity Switches	140V N.O.	250V N.O.
Operating Voltage	20-140V AC 10-140V DC	20-250V AC 10-300V DC
Load Current	5-200 mA	≤ 100 mA
Leakage Current	≤ 0.8 mA	≤ 1.7 mA
Voltage Drop	≤ 7V	≤ 6V
Max Number of Switches	2	2
Approvals	N/A	N/A

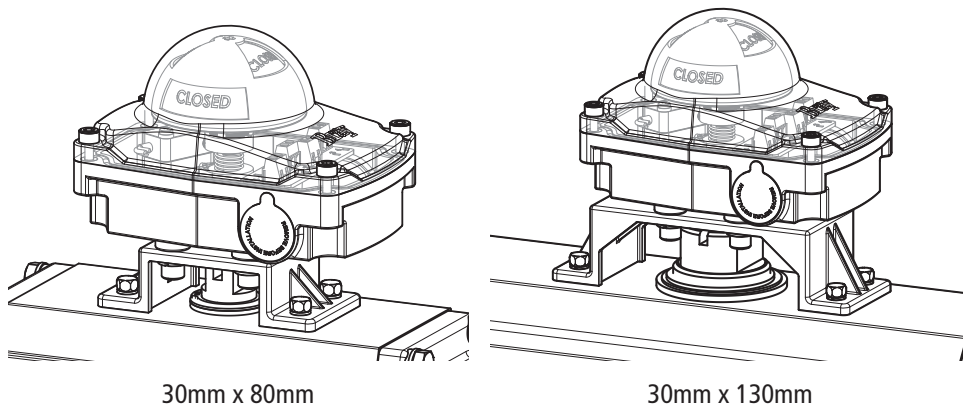
NAMUR I.S. Switches	N.C.	
Current Consumption	≥ 3 mA (deactivated) ≤ 1 mA (activated)	ATEX II 1G Ex ia IIC Ga T6 II 2G Ex ia IIC Gb T6
Max Power	64 mW	IECEX Ex ia IIC Ga T6 Ex ia IIC Gb T6
Max Voltage	16 V	Ambient 1G: -25°C ≤ Ta ≤ +49°C 2G: -25°C ≤ Ta ≤ +65°C
Max Current	25 mA	
Switch	P+F NJ2-V3-N	
Effective Capacitance (C _e)	≤ 40 nF	
Effective Inductance (L _e)	≤ 50 μH	
Max Number of Switches	2	
Approval	ATEX, IECEx, SIL 3 Capable	

All information herein is proprietary, confidential, and may not be copied or reproduced without the expressed written consent of BRAY INTERNATIONAL, Inc.
The technical data herein is for general information only. Product suitability should be based solely upon customer's detailed knowledge and experience with their application.

BRACKET

Bracket Type	NAMUR Pattern	Actuator Series	Actuator Size	VSM / Actuator	Std. Part No.
Single Piece	30 x 80	92 / 93	063 - 128	Imperial / Imperial	5B0000-22602517
				Imperial / Metric	5B0000-22632517
				Metric / Metric	5B0000-22652517
		98	All	Imperial / Metric	5B0000-22632517
				Metric / Metric	5B0000-22652517
Single Piece	30 x 130	92 / 93	160 - 210	Imperial / Imperial	5B0000-22603517
			160 - 255	Imperial / Metric	5B0000-22633517
				Metric / Metric	5B0000-22653517

Single Piece Resin Bracket

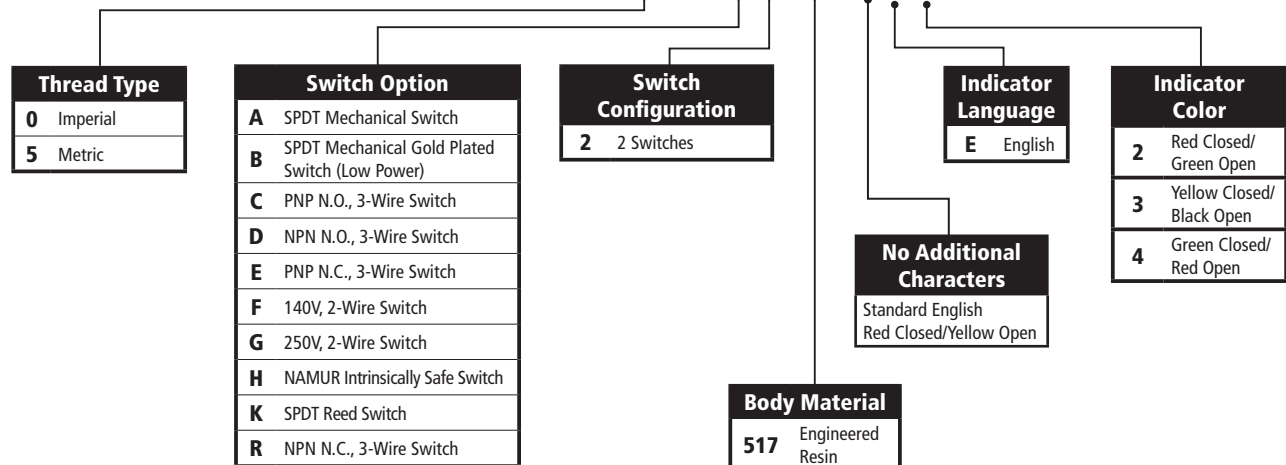


30mm x 80mm

30mm x 130mm

PART NUMBERING SYSTEM

5A000X-126X XXXX / E X



HEADQUARTERS

Bray International, Inc.
 13333 Westland East Blvd.
 Houston, Texas 77041
 Tel: 281.894.5454
 bray.com

All statements, technical information, and recommendations in this bulletin are for general use only. Consult Bray representatives or factory for the specific requirements and material selection for your intended application. The right to change or modify product design or product without prior notice is reserved. Patents issued and applied for worldwide.

Bray® is a registered trademark of Bray International, Inc.

© 2022 Bray International. All rights reserved.

TM-1094_5A_Resin_20221121