

OVERVIEW

Series 767 is a bidirectional high pressure slurry valve, designed for demanding high pressure slurry applications. Twin elastomer sleeves and push-through gate design facilitate self-cleaning and prevent media build up. The cast WCB body is offered in a two-piece bolted wafer style. When fully open, the valve bore, offers no resistance to line media.

APPLICATIONS

- Mining**
- Pulp & Paper**
- General Industry**
- Power**
- Chemical**
- Cement**

SPECIFICATIONS

Size Range	NPS 3 to 36 DN 80 to 900
Temperature Range	Natural Rubber: -60°F to 165°F -51°C to 74°C EPDM: -65°F to 248°F -54°C to 120°C
Pressure Rating	SS 316 Gate NPS 3-10 300psi DN 80-250 20 bar Duplex 2205 Gate NPS 3-8 740psi DN 80-200 51 bar NPS 10-36 450psi DN 250-900 30 bar 17-4PH Gate NPS 3-36 740psi DN 80-900 51 bar
Body Style	Two-Piece Bolted Flanged

NOTE:
 1 767 valves are elastomer sleeved slurry valves and MSS SP-81 and MSS SP-151 does not apply. The valves are tested for bi-directional, zero leakage across the sleeves.
 2 Do not operate the valve if media in the line is frozen.

FEATURES

- 1 Upper and lower protective stem cover is standard in all models, increasing cycle life in dirty/dusty environments.
- 2 J-ring steel-reinforced, elastomer sleeves provide energized, zero leakage shutoff in both directions. Retaining rings included as standard throughout the entire size range.
- 3 In the open position, the energized sleeves shield all metal components from direct contact with the flowing process media.
- 4 Robust gate available in a wide range of corrosion resistant alloys to suit the application.
- 5 The design provides unobstructed flow path, extending sleeve life and minimizing pressure drop across valve.
- 6 Ample clearance for push-through allows complete gate closure.
- 7 Two-piece bolted wafer body allows for easy maintenance and is drilled and tapped to ASME B16.5 CL300 flange patterns as standard. Other drilling options available upon request.
- 8 Bottom flush plate with tapped ports or drain bucket are available allowing for safe discharge of media and easy flush water connection.



DESIGN STANDARDS

Valve Design	Manufacturer Standard
Seat Tightness	Zero Leakage
End Connections	Flanged
Face-to-Face	Per Industry Standard
Flange Drilling	ASME B16.5 CL300

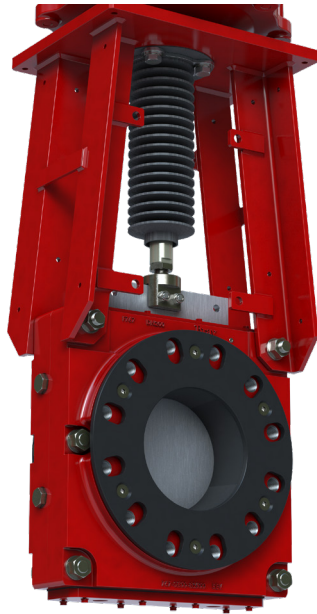
CERTIFICATIONS & APPROVALS

Certifications	Canadian CRN PED Category I Module A (Group 2 liquids)
-----------------------	---

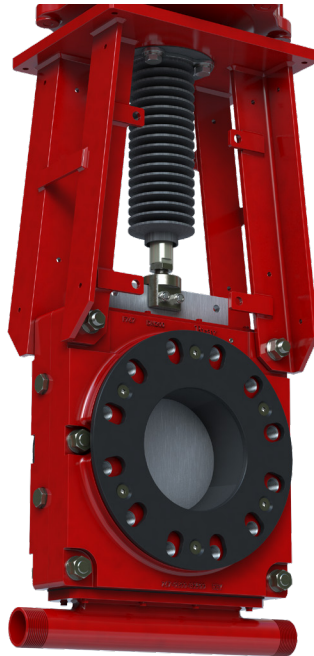
MATERIAL OPTIONS

Body	Carbon Steel (WCB)
	CF3M Stainless Steel
	SAF 2507 Duplex
	SAF 2205 Duplex
Gate	304, 316, 317 Stainless Steel
	SAF 2507 Duplex
	SAF 2205 Duplex
	17-4PH Stainless Steel
	Hastelloy® C
Sleeve	Monel®
	Natural Rubber
Stem	EPDM
	304
Secondary Seal	EPDM

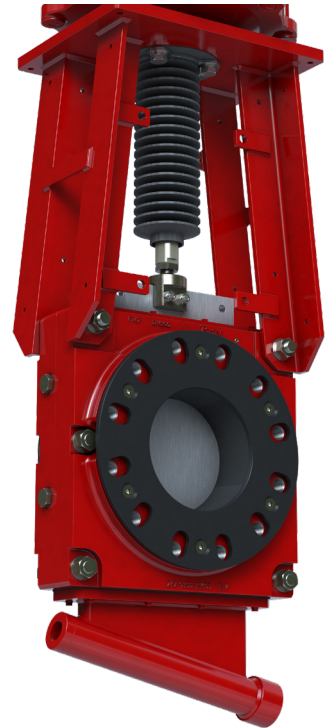
DRAIN CONTAINMENT OPTIONS



Drain Plate



Drain Pan



Drain Bucket